

Dell PowerConnect W-620 Rack Mount Installation Guide

Introduction

The W-620 Rack Mounting Kit provides the means to install a W-620 controller in a standard 19-inch rack.

The kit includes the following:

- 1x Mounting Tray
- 2x Mounting Bracket
- 4x M3 x 6mm Screws
- 4x M6 x 20mm Screws
- 4x Cage Nuts
- 4x Cage Clips

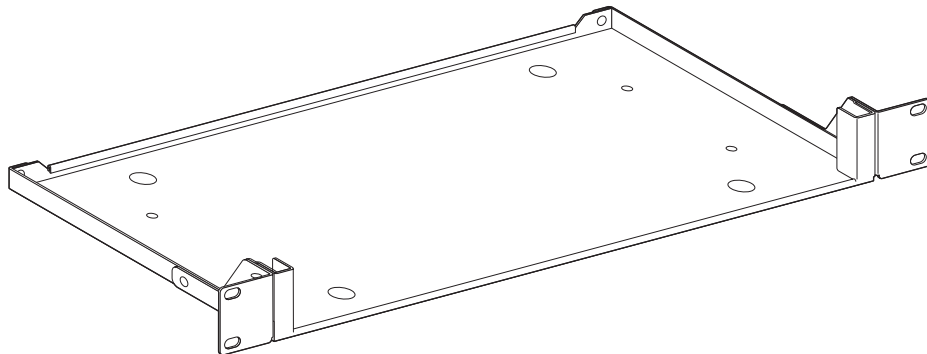
Installation

1. Begin by placing the W-620 on the mounting tray ([Figure 1](#)). Ensure that four rubber feet of the W-620 are placed in the four large holes near the corners of the mounting tray.



Note: Ensure that the side of the W-620 with ports is facing out of the rack. This allows for easy access to the ports.

Figure 1 *Mounting Tray*



2. Attach the mounting brackets to the mounting tray as shown in [Figure 2](#).
 - a. Align the screw holes in the mounting brackets with the mounting posts.
 - b. Insert and tighten the provided M3 x 6mm screws to secure the mounting brackets as shown in [Figure 3](#).

Figure 2 *Attaching Brackets*

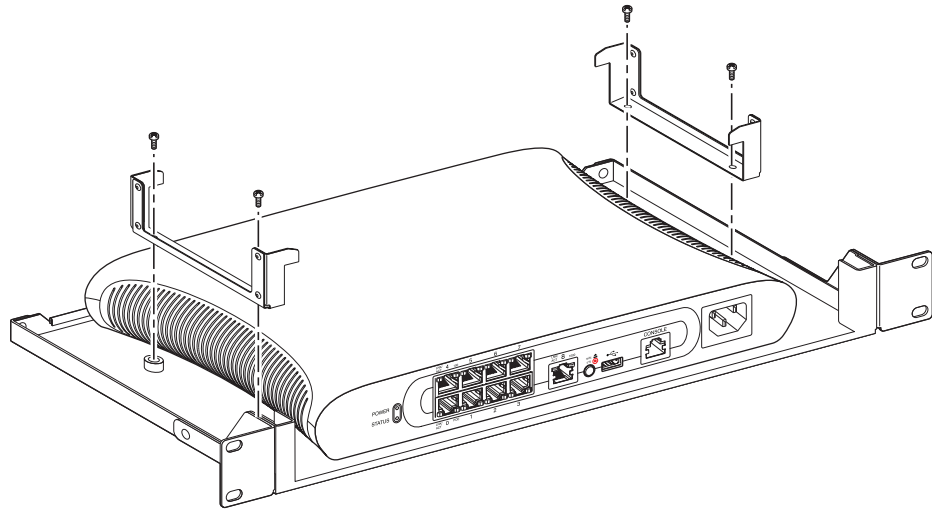
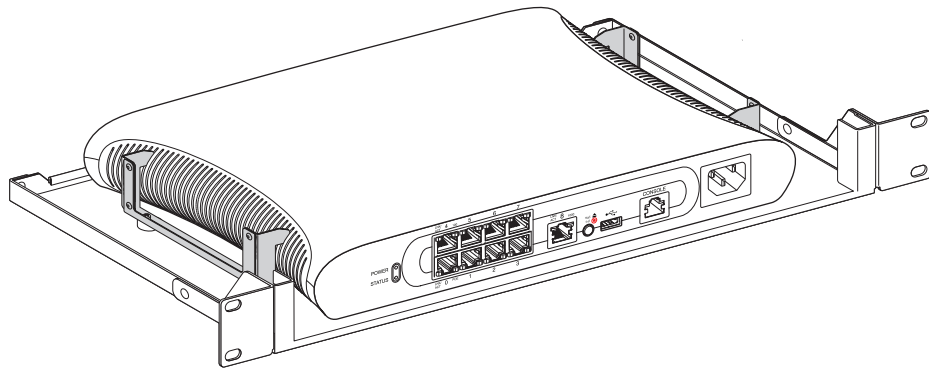


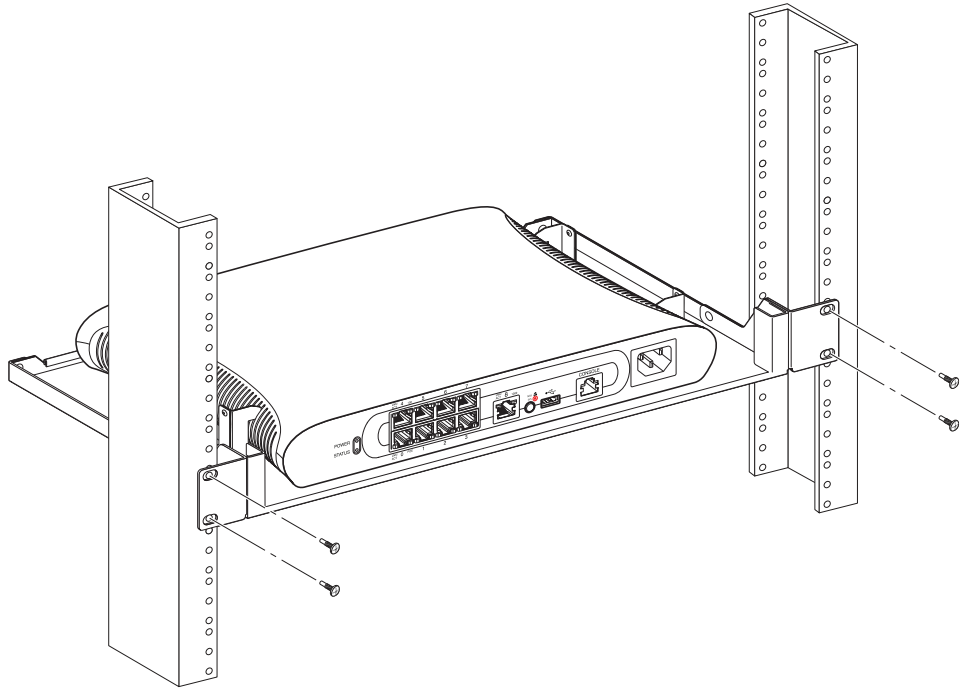
Figure 3 *Controller Secured*



Installation in a Telecom Rack

1. Mount the entire assembly to a 19-inch rack as shown in [Figure 4](#).
 - a. Align the screw holes on the mounting tabs with those on the rack.
 - b. Insert and tighten the provided M6x 20mm screws to secure the assembly to the rack.
2. Connect all required cables.

Figure 4 Installing the Mounting Kit in a Rack



Installation in a Server Rack

To install a W-620 controller into a 19-inch (48.26 cm) Server rack system:



Note: The following instructions describe the installation of your controller in a rack with unthreaded, square holes. For a rack with unthreaded, round holes, use the provided clip nuts instead.

1. Place a rack mount bracket over the mounting holes on one side of the controller.
2. Secure the bracket to the controller using three M3, 6mm x 0.5mm phillips head screws and a suitable screwdriver.
3. Repeat these steps on the opposite side of the controller.
4. Install the four cage nuts.

To install the cage nut with a cage-nut installation tool:

- a. Begin by inserting the lower lip of the cage nut over the bottom of the square opening in the back of the rail.
- b. Insert the small end of the cage-nut installation tool through the opening in the rail (from the front), and hook the tool over the top lip of the cage nut.
- c. Push the cage nut in towards the rail while rotating the tool up and pulling the tool back toward you until the top lip of the cage nut snaps into position.

To install the cage nut with a flathead screwdriver:

- a. Begin by inserting the lower lip of the cage nut over the bottom of the square opening in the back of the rail.
 - b. Compress the top lip of the cage nut with a flathead screwdriver.
 - c. With the lip compressed, push the cage nut's lip fully into the opening in the rail.
 - d. Release the screwdriver pressure on the cage nut to lock it into place.
5. Mount the controller within your organization's rack system using four M6 x 20mm phillips head screws and suitable screwdriver.

6. Connect the AC power cord (country-specific) to the rear of the unit.
7. Plug the opposite end of the power cord into an electrical outlet to power the controller.

